



ITEM #: _____ QTY: _____
 MODEL #: _____
 PROJECT NAME: _____

063017

3601 S. Banker St. Effingham, IL 62401 • P.O. BOX 609 • Ph: (888) 431-2667 • Fax: (800) 433-2667

"UFBLS" STAINLESS STEEL TOP WORK TABLES



18GA TOP W/1-1/2" REAR RISER AND STAINLESS LEGS AND ADJUSTABLE UNDERSHELF

BUDGET E-SERIES

FEATURES:

- 18 GAUGE STAINLESS STEEL TOP W/1-1/2" REAR RISER
- TYPE 430 STAINLESS STEEL WITH SATIN FINISH
- TOP IS SOUND DEADENED
- REINFORCED WITH 1"X2" CHANNEL RUNNING ENTIRE LENGTH OF TABLE
- 1-1/2" STALLION EDGE ON FRONT AND REAR WITH SIDE EDGES 90 DEGREE BEND DOWN FOR TABLE LINE-UP
- STAINLESS STEEL BASE AND ADJUSTABLE UNDERSHELF
- SHIPPED KNOCKED-DOWN, EASY-TO-ASSEMBLE
- NSF CERTIFIED



UFBLS4830

CONSTRUCTION:

- TOP: STAINLESS STEEL TOPS ARE TIG WELDED, EXPOSED WELDS ARE POLISHED TO MATCH ADJACENT SURFACE.

MATERIAL:

- TOP: 18 GAUGE STAINLESS STEEL TYPE 430 STAINLESS STEEL WITH SATIN FINISH
- SHELF: 18 GAUGE STAINLESS STEEL
- LEGS: 1-5/8" ROUND O.D. 16 GAUGE TUBULAR STAINLESS STEEL
- GUSSETS: STAINLESS STEEL
- FEET: 1" ADJUSTABLE PLASTIC BULLET FEET

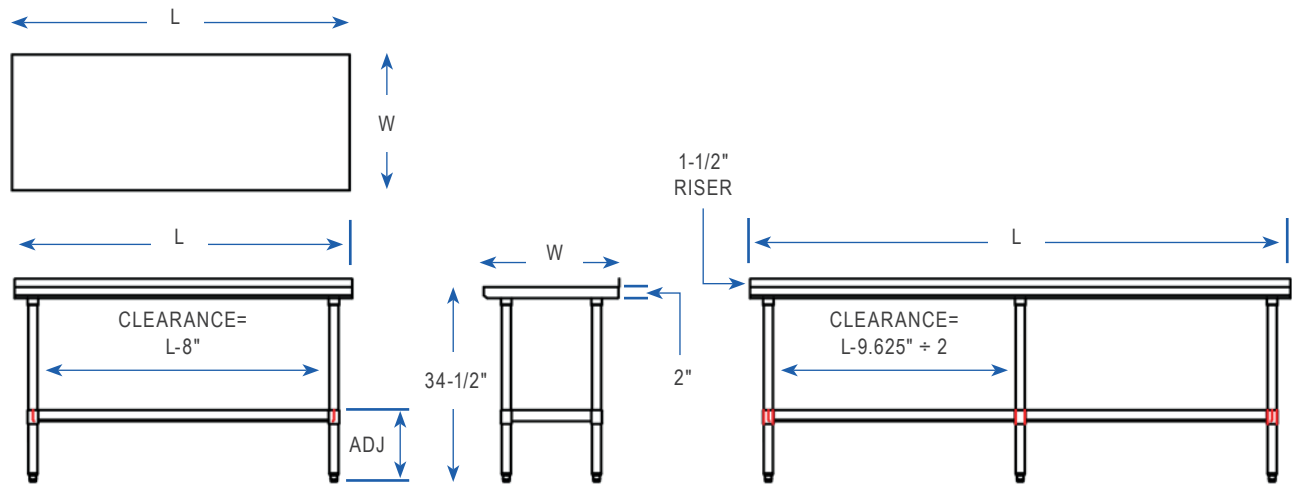


ADJUSTABLE SHELF

18 GAUGE TOP W/ ADJUSTABLE SHELF

| 18" WIDE | QTY | 24" WIDE | QTY | 30" WIDE | QTY |
|-----------|-----|-----------|-----|-----------|-----|
| UFBLS2418 | | UFBLS2424 | | - | |
| UFBLS3018 | | UFBLS3024 | | UFBLS3030 | |
| UFBLS3618 | | UFBLS3624 | | UFBLS3630 | |
| UFBLS4818 | | UFBLS4824 | | UFBLS4830 | |
| UFBLS6018 | | UFBLS6024 | | UFBLS6030 | |
| UFBLS7218 | | UFBLS7224 | | UFBLS7230 | |
| UFBLS9618 | | UFBLS9624 | | UFBLS9630 | |

DETAILED SPECIFICATIONS



- UNITS 7 FT. AND LARGER ARE FURNISHED WITH SIX LEGS.
- FINISHED SIZE OF UNDERSHELF.
SHELF LENGTH = LENGTH MINUS 4.875"
SHELF WIDTH = WIDTH MINUS 4.25"

18 GAUGE TOP W/ ADJUSTABLE UNDERSHELF

| LENGTH | 18" WIDE | WT. (LBS) | 24" WIDE | WT. (LBS) | 30" WIDE | WT. (LBS) |
|--------|-----------|-----------|-----------|-----------|-----------|-----------|
| 24" | UFBLS2418 | 35 | UFBLS2424 | 40 | - | - |
| 30" | UFBLS3018 | 38 | UFBLS3024 | 45 | UFBLS3030 | 50 |
| 36" | UFBLS3618 | 41 | UFBLS3624 | 50 | UFBLS3630 | 56 |
| 48" | UFBLS4818 | 44 | UFBLS4824 | 62 | UFBLS4830 | 69 |
| 60" | UFBLS6018 | 47 | UFBLS6024 | 71 | UFBLS6030 | 82 |
| 72" | UFBLS7218 | 50 | UFBLS7224 | 83 | UFBLS7230 | 94 |
| 96" | UFBLS9618 | 56 | UFBLS9624 | 111 | UFBLS9630 | 128 |

SOME UNITS SHIP UNASSEMBLED FOR REDUCED SHIPPING COST. ALL DIMENSIONS ARE TYPICAL. TOLERANCE +/- .500"
John Boos & Co. is constantly engaged in a program of improving products and therefore reserves the right to change specifications without prior notice.



Boos
locks

AQ AutoQuotes

3601 S. Banker St. • Effingham, IL 62401 • PO BOX 609 • quotes@johnboos.com

www.johnboos.com

063017

245